

Seaseng Inc.  
Business Parkway  
Frisco, CA 91761

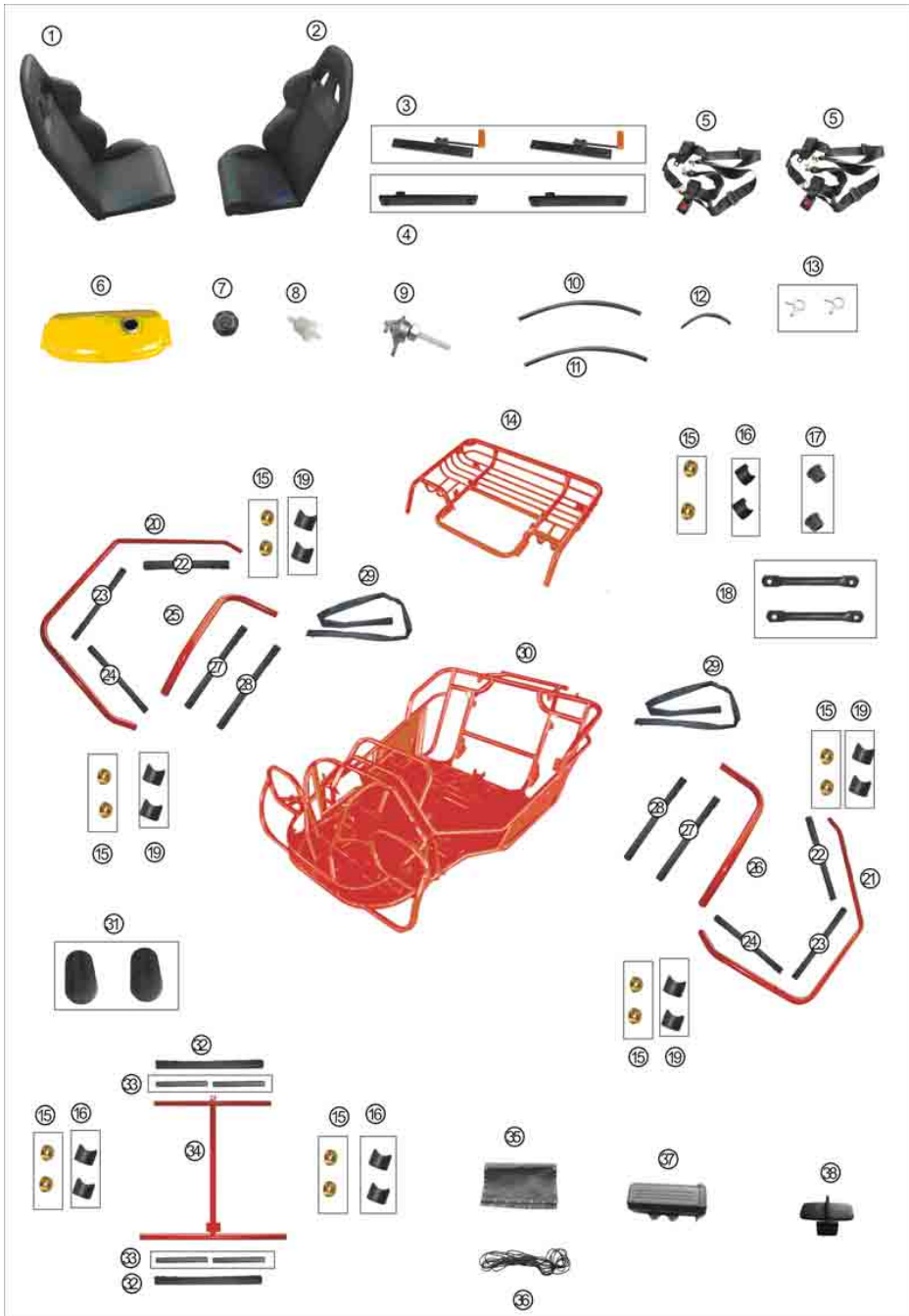
Parts Catalog  
Frame Assembly  
GK-2510FS

ATV DIAGRAM ANNUAL  
PARTS CATALOG



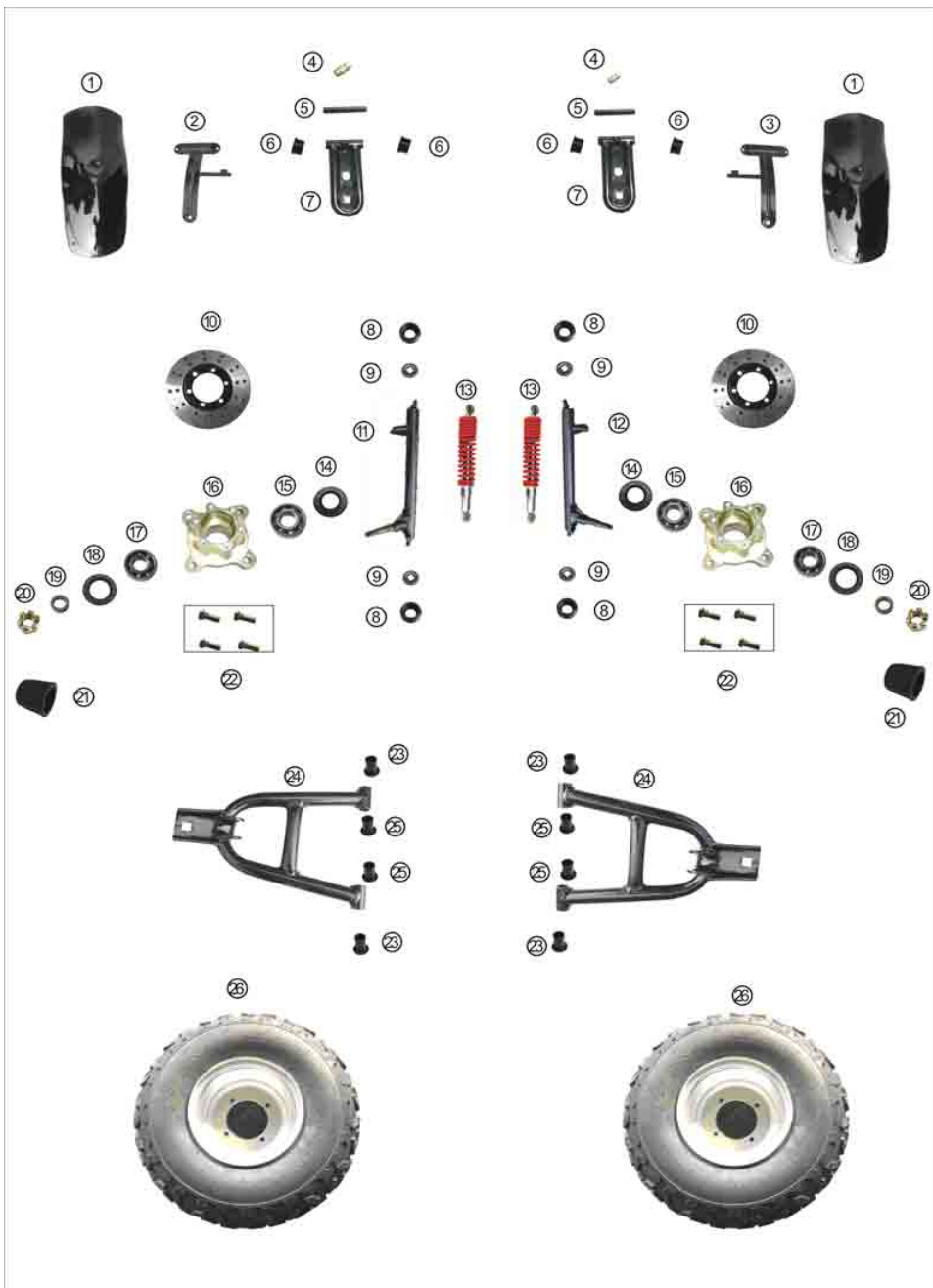
Copyright 2007 Seaseng Inc.

# 1 CHASSIS



REF. No.	PART NO.	DESCRIPTION	QTY
GK250FS-1-1	250FW4401	driver's seat	1
GK250FS-1-2	250FW4402	assistant driver's seat	1
GK250FS-1-3	250FW4403	seat rail 1	1
GK250FS-1-4	250FW4404	seat rail 2	1
GK250FS-1-5	250FW7601	safety belt assembly	2
GK250FS-1-6	250FW5001	fuel tank	1
GK250FS-1-7	250FW5002	fuel tank cap	1
GK250FS-1-8	250FW5004	petrol filter	1
GK250FS-1-9	250FW5003	fuel tank sender unit	1
GK250FS-1-10	250FW5005	oil intake tube (long)	1
GK250FS-1-11	250FW5007	vacuum pipe	1
GK250FS-1-12	250FW5006	oil intake tube (short)	1
GK250FS-1-13	250FW5008	thimble φ7	6
GK250FS-1-14	250FW7001	rear shelf assembly	1
GK250FS-1-15	250FW7606	bolt block	16
GK250FS-1-16	250FW7605	min plastic cover of protecting pole	6
GK250FS-1-17	250FW7003	21 stopple rubber	1
GK250FS-1-18	250FW7002	rear shelf knighthed	2
GK250FS-1-19	250FW7604	big plastic cover of protecting pole	8
GK250FS-1-20	250FW3002	bend protecting pole (left)	1
GK250FS-1-21	250FW3003	bend protecting pole (right)	1
GK250FS-1-22	250FW7608	froth pipe 1	2
GK250FS-1-23	250FW7609	froth pipe 2	2
GK250FS-1-24	250FW7610	froth pipe 3	2
GK250FS-1-25	250FW3004	side protecting pole (left)	1
GK250FS-1-26	250FW3005	side protecting pole (right)	1
GK250FS-1-27	250FW7611	froth pipe 4	2
GK250FS-1-28	250FW7613	protecting pipe cloth 1	2
GK250FS-1-29	250FW7614	protecting pipe cloth 2	2
GK250FS-1-30	250FW3001	frame	1
GK250FS-1-31	250FW7607	feet pad	4
GK250FS-1-32	250FW7615	protecting pipe cloth 3	2
GK250FS-1-33	250FW7612	froth pipe 5	4
GK250FS-1-34	250FW3006	middle strut bar	1
GK250FS-1-35	250FW7616	canopy cloth	1
GK250FS-1-36	250FW7617	canopy cloth line	1
GK250FS-1-37	250FW7603	tool box	1
GK250FS-1-38	250FW7602	inner mirror	2

## 2 FRONT SUSPENSION ASSEMBLY



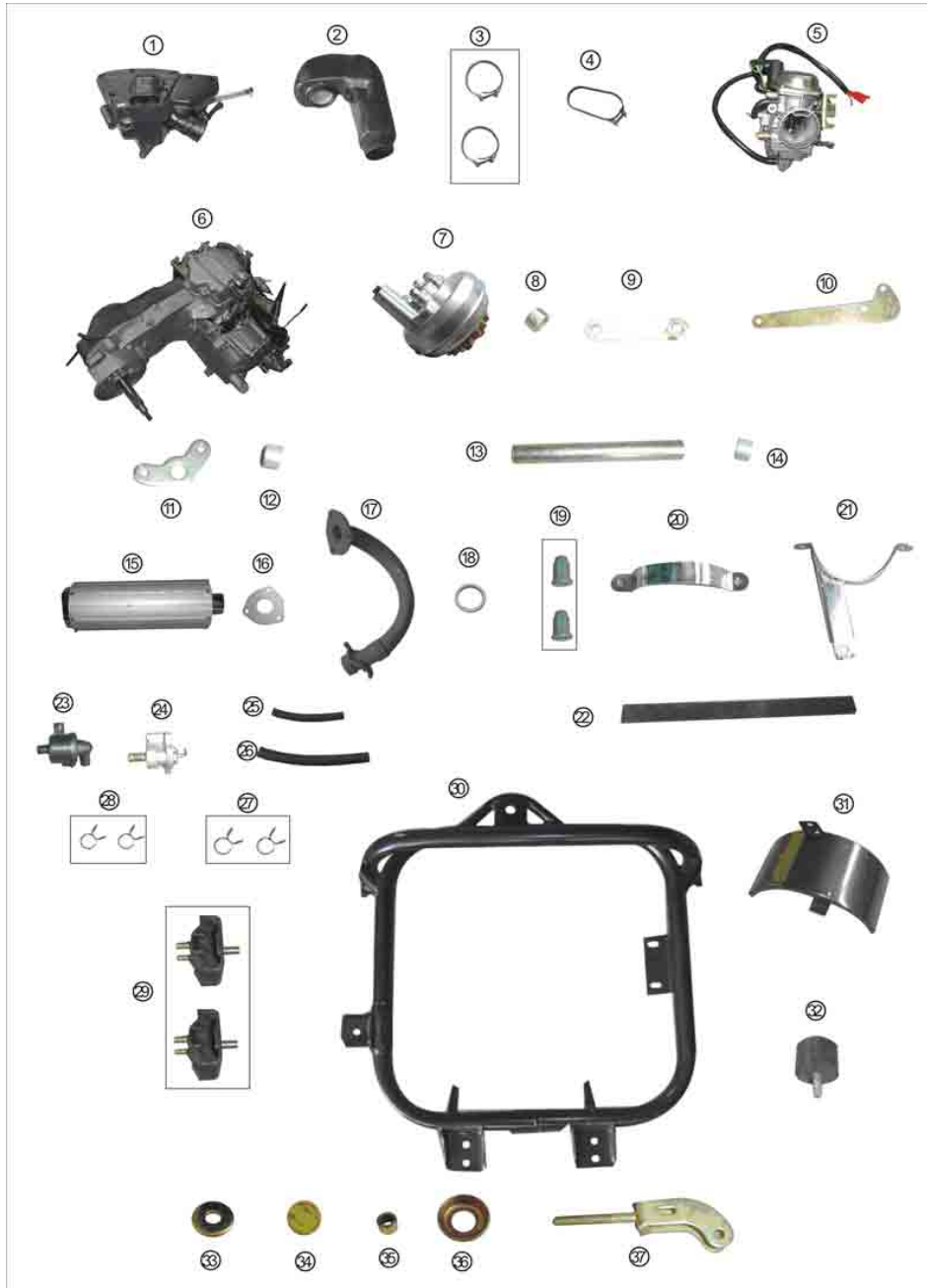
REF. No.	PART NO.	DESCRIPTION	QTY
GK250FS-2-1	250FW4701	front mudguard	2
GK250FS-2-2	250FW4702	front left mudguard bracket	1
GK250FS-2-3	250FW4703	front right mudguard bracket	1
GK250FS-2-4	250FW3108	grease fitting	6
GK250FS-2-5	250FW3104	front suspension upper axis pin	2
GK250FS-2-6	250FW3103	front suspension upper arm Nylon cover	4
GK250FS-2-7	250FW3102	front suspension upper arm	2
GK250FS-2-8	250FW3303	turning supporting axle dustproof cover	4
GK250FS-2-9	250FW3304	turning supporting axle dustproof washer	4
GK250FS-2-10	250FW4304	front brake disk	2
GK250FS-2-11	250FW3301	front left turning supporting axle	1
GK250FS-2-12	250FW3302	front right turning supporting axle	1
GK250FS-2-13	250FW3101	front shock absorber	2
GK250FS-2-14	250FW3207	oil seal 25×47×7	2
GK250FS-2-15	250FW3206	bearing 6204	2
GK250FS-2-16	250FW3202	front hub flange	2
GK250FS-2-17	250FW3205	bearing 6203	2
GK250FS-2-18	250FW3208	oil seal 27×42×7	2
GK250FS-2-19	250FW3203	front wheel bearing sheath	2
GK250FS-2-20	250FW3305	nut M14×1.5	2
GK250FS-2-21	250FW3209	axle rubber dust shroud	2
GK250FS-2-22	250FW3204	hub flange bolt	8
GK250FS-2-23	250FW3106	front suspension draft arm nylon cover (long)	4
GK250FS-2-24	250FW3105	front suspension draft arm	2
GK250FS-2-25	250FW3107	front suspension draft arm nylon cover (short)	4
GK250FS-2-26	250FW3201	front tyre and steel rim 19×7-8	2

### 3 REAR SUSPENSION ASSEMBLY



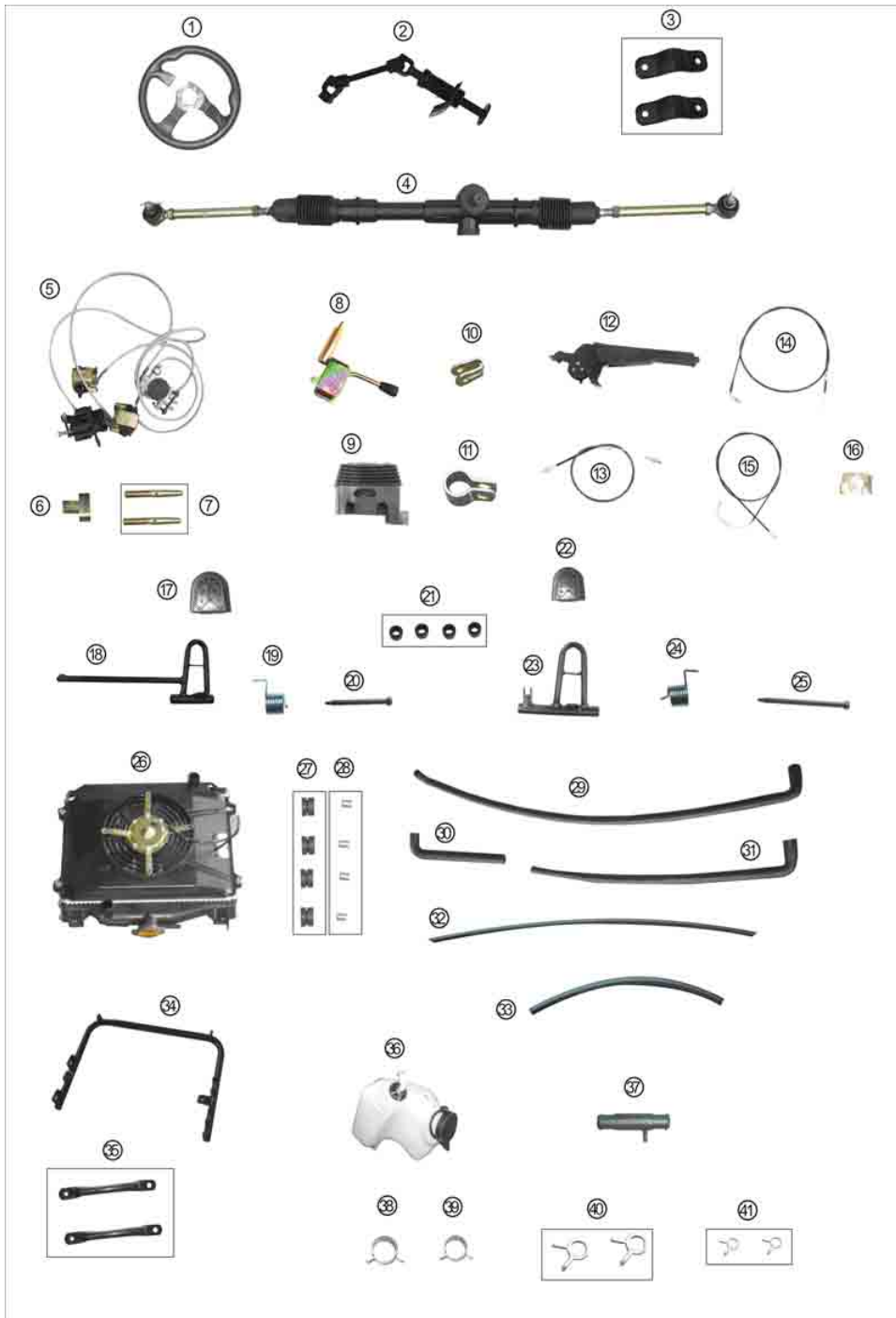
REF. No.	PART NO.	DESCRIPTION	QTY
GK250FS-3-1	250FW4704	rear mudguard	2
GK250FS-3-2	250FW3403	rear suspension lining	8
GK250FS-3-3	250FW3404	rear suspension axis pin	4
GK250FS-3-4	250FW3401	rear shock absorber	2
GK250FS-3-5	250FW3402	rear suspension assembly	1
GK250FS-3-6	250FW4705	rear left mudguard bracket	1
GK250FS-3-7	250FW4706	rear right mudguard bracket	1
GK250FS-3-8	250FW4313	chain cover	1
GK250FS-3-9	250FW3601	rear axle	1
GK250FS-3-10	250FW3409	oil seal 34×50×7	2
GK250FS-3-11	250FW3405	rear bearing block	2
GK250FS-3-12	250FW3407	bearing 6206	2
GK250FS-3-13	250FW3406	rear bearing cover	2
GK250FS-3-14	250FW3408	oil seal 30×42×7	2
GK250FS-3-15	250FW3502	rear hub flange	2
GK250FS-3-16	250FW3504	rear axle dustproof washer	2
GK250FS-3-17	250FW3604	nut M16×1.5	2
GK250FS-3-18	250FW3505	axle rubber dust shroud	2
GK250FS-3-19	250FW3503	hub flange bolt	8
GK250FS-3-20	250FW3603	chain 530	1
GK250FS-3-21	250FW3602	rear axle sprocket wheel 530/31Z	1
GK250FS-3-22	250FW4305	rear brake disk	1
GK250FS-3-23	250FW3501	rear tyre and steel rim 22×11-10	2

#### 4 ENGINE



REF. No.	PART NO.	DESCRIPTION	QTY
GK250FS-4-1	250FW1003	air filter assembly	1
GK250FS-4-2	250FW1005	air filter tube	1
GK250FS-4-3	250FW1006	air filter tube thimble	1
GK250FS-4-4	250FW1004	air filter thimble	1
GK250FS-4-5	250FW1002	carburetor	1
GK250FS-4-6	250FW1001	engine assembly	1
GK250FS-4-7	250FW3701	reverse gear box assembly	1
GK250FS-4-8	250FW3702	reverse gear box sheath	1
GK250FS-4-9	250FW3906	reverse gear box support board 2	1
GK250FS-4-10	250FW3905	reverse gear box support board 1	1
GK250FS-4-11	250FW1016	engine strengthen board	1
GK250FS-4-12	250FW1017	engine strengthen board sheath	1
GK250FS-4-13	250FW1009	engine front fixing long sheath	1
GK250FS-4-14	250FW1010	engine front fixing short sheath	1
GK250FS-4-15	250FW2201	silencer assembly	1
GK250FS-4-16	250FW2202	silencer pad	1
GK250FS-4-17	250FW2206	exhaust pipe	1
GK250FS-4-18	250FW2207	exhaust port liner	1
GK250FS-4-19	250FW2208	nut	2
GK250FS-4-20	250FW2203	silencer thimble	1
GK250FS-4-21	250FW2204	silencer thimble bracket	1
GK250FS-4-22	250FW2205	silencer thimble rubber bar	1
GK250FS-4-23	250FW2209	auxiliary air filter	1
GK250FS-4-24	250FW2210	auxiliary air control valve	1
GK250FS-4-25	250FW2211	auxiliary air filter rubber hose	1
GK250FS-4-26	250FW2212	auxiliary air control valve rubber hose	1
GK250FS-4-27	250FW2213	thimble Φ15	1
GK250FS-4-28	250FW2214	thimble Φ17	1
GK250FS-4-29	250FW1007	engine yielding rubber	2
GK250FS-4-30	250FW1008	engine frame	1
GK250FS-4-31	250FW1019	engine output chain wheel cover	1
GK250FS-4-32	250FW1018	rubber limiting stopper	1
GK250FS-4-33	250FW1011	engine cushion block	1
GK250FS-4-34	250FW1012	engine shock attenuation	1
GK250FS-4-35	250FW1013	engine shock attenuation spacer ring	1
GK250FS-4-36	250FW1014	engine fixing tile	1
GK250FS-4-37	250FW1015	engine hang U-piece	1

5 STEERING AND BRAKE ASSEMBLY



REF. No.	PART NO.	DESCRIPTION	QTY
GK250FS-5-1	250FW4001	steering wheel	1
GK250FS-5-2	250FW4002	steering shaft	1
GK250FS-5-3	250FW4004	redirector thimble	2
GK250FS-5-4	250FW4003	steering box	1
GK250FS-5-5	250FW4301	hydraulic pressure brake assembly	1
GK250FS-5-6	250FW4302	brake master cylinder block	1
GK250FS-5-7	250FW4303	brake master cylinder handspike	2
GK250FS-5-8	250FW3901	reverse lever assembly	1
GK250FS-5-9	250FW3902	reverse lever boot	1
GK250FS-5-10	250FW3904	reverse cable U type	1
GK250FS-5-11	250FW3903	reverse lever limiting hoop	1
GK250FS-5-12	250FW4311	hand brake lever	1
GK250FS-5-13	250FW4312	handbrake cable	1
GK250FS-5-14	250FW2006	throttle control cable	1
GK250FS-5-15	250FW3907	reverse cable	1
GK250FS-5-16	250FW2007	throttle control cable fixing piece	1
GK250FS-5-17	250FW2002	accelerator pedal rubber cover	1
GK250FS-5-18	250FW2001	accelerator pedal assembly	1
GK250FS-5-19	250FW2003	accelerator pedal torsion spring	1
GK250FS-5-20	250FW2004	accelerator pedal fixing shaft	1
GK250FS-5-21	250FW2005	pedal pad	4
GK250FS-5-22	250FW4307	brake pedal rubber cover	1
GK250FS-5-23	250FW4306	brake pedal assembly	1
GK250FS-5-24	250FW4308	brake pedal torsional spring	1
GK250FS-5-25	250FW4309	brake pedal fixing shaft	1
GK250FS-5-26	250FW1101	radiator assembly	1
GK250FS-5-27	250FW1109	radiator rubber patch	4
GK250FS-5-28	250FW1110	radiator rubber patch sheath	4
GK250FS-5-29	250FW1102	radiator outlet water hose	1
GK250FS-5-30	250FW1104	radiator inlet water hose (short)	1
GK250FS-5-31	250FW1103	radiator inlet water hose (long)	1
GK250FS-5-32	250FW1105	carburetor inlet water hose (short)	1
GK250FS-5-33	250FW1106	auxiliary water tank water hose	1
GK250FS-5-34	250FW1107	radiator bracket	1
GK250FS-5-35	250FW1108	radiator knighthead	2
GK250FS-5-36	250FW1112	auxiliary water tank	1
GK250FS-5-37	250FW1111	three-way water pipe	1
GK250FS-5-38	250FW1116	thimble φ26	2
GK250FS-5-39	250FW1115	thimble φ24	4
GK250FS-5-40	250FW1114	thimble φ12	2
GK250FS-5-41	250FW1113	thimble φ7	2

6 ELECTRIC HARDNESS



REF. No.	PART NO.	DESCRIPTION	QTY
GK250FS-6-1	250FW4811	horn	1
GK250FS-6-2	250FW4808	front turning signal lamp	2
GK250FS-6-3	250FW4807	headlamp	2
GK250FS-6-4	250FW4809	rear turning signal lamp	2
GK250FS-6-5	250FW4810	brake light	2
GK250FS-6-6	250FW4812	ignition lock	1
GK250FS-6-7	250FW4813	cutout	1
GK250FS-6-8	250FW4815	dip switch	1
GK250FS-6-9	250FW4814	turning signal switch	1
GK250FS-6-10	250FW4816	horn button	1
GK250FS-6-11	250FW4817	water temperature warnign lamp	1
GK250FS-6-12	250FW4818	water temperature warnign buzzer	1
GK250FS-6-13	250FW4819	fuse	1
GK250FS-6-14	250FW4820	starter relay	1
GK250FS-6-15	250FW4821	silicon rectifier	1
GK250FS-6-16	250FW4822	ignition unit	1
GK250FS-6-17	250FW4824	flashing unit	1
GK250FS-6-18	250FW4823	high voltage coil	1
GK250FS-6-19	250FW4833	control panel board	1
GK250FS-6-20	250FW4828	electrical box	1
GK250FS-6-21	250FW4830	electrical box board circle	1
GK250FS-6-22	250FW4829	electrical box cover	1
GK250FS-6-23	250FW4802	battery cap	1
GK250FS-6-24	250FW4801	battery 12V/9Ah	1
GK250FS-6-25	250FW4805	electrolyte	1
GK250FS-6-26	250FW4803	battery rubber block	1
GK250FS-6-27	250FW4804	battery tie down belt	1
GK250FS-6-28	250FW4825	charger	1
GK250FS-6-29	250FW4827	charger plug cover	1
GK250FS-6-30	250FW4826	charger plug	1
GK250FS-6-31	250FW4806	harness assembly	1
GK250FS-6-32	250FW4832	starter positive cable	1
GK250FS-6-33	250FW4831	starter negative cable	1